



A510s

Enhanced

Advanced Current Vector Control Drive





A510s
TECO

- WARNING / AVERTISSEMENT**
- ▲ Risk of electrical shock, shut off main power and wait for 5 minutes before servicing.
 - ▲ Risque de choc électrique. Couper l'alimentation principale et attendre 5 minutes avant l'intervention.
 - ▲ Hot surface / Risk of burn.
 - ▲ Surface chaude / Risque de brûlure.
- ATTENTION**
- ▲ See manual before operation.
 - ▲ Consultez le manuel avant l'opération.

A510s
TECO

- WARNING / AVERTISSEMENT**
- ▲ Risk of electrical shock, shut off main power and wait for 5 minutes before servicing.
 - ▲ Risque de choc électrique. Couper l'alimentation principale et attendre 5 minutes avant l'intervention.
 - ▲ Hot surface / Risk of burn.
 - ▲ Surface chaude / Risque de brûlure.
- CAUTION / ATTENTION**
- ▲ See manual before operation.
 - ▲ Consultez le manuel avant l'opération.

A510s
TECO

- WARNING / AVERTISSEMENT**
- ▲ Risk of electrical shock, shut off main power and wait for 5 minutes before servicing.
 - ▲ Risque de choc électrique. Couper l'alimentation principale et attendre 5 minutes avant l'intervention.
- CAUTION / ATTENTION**
- ▲ See manual before operation.
 - ▲ Consultez le manuel avant l'opération.

A510 Super

Super represents

Super technology
Super excellence
Super evolution

The super evolution of A510s made it debut which combined customer responses with Innovation. Advanced current vector control inverter - A510s. Except the Auto-tuning and support for the PM motor, the core computing of A510s raises to 60%. The all new technologies make our inverters better. Please feel the charming of A510s.

A510s



A510s

7 types of motor controls

A510s can support many industries such as elevator, crane and compressor

Auto-tuning support

Advanced Rotational、Static and Stator resistance Auto-tuning modes

Wide range of applications

Easily transfer to specific parameters for dedicated application
16 V/F curves for wide range of applications

High level sensor vector mode

Support to induction motor and permanent magnet motor
A510s promotes motors to optimum condition

Much faster for computing ability

Dual core processors
Faster computing ability, Larger ROM and RAM.

Conformity to global standards

RoHS、CE、UL、RCM
Provide safety function such as fire mode

PM Motor Control

- Simple parameter settings for permanent magnet motors control.



Surface Permanent Magnet Motor (SPM)

- Highly Efficient
- Compact Size
- Low Cogging Torque



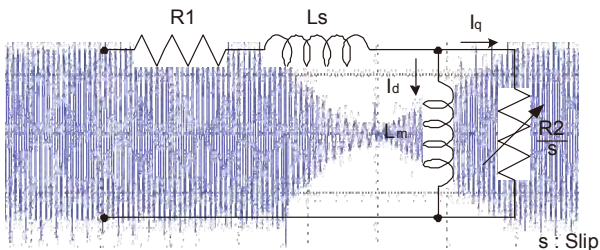
Interior Permanent Magnet Motor (IPM)

- Highly Efficient
- Compact Size
- With Reluctance Torque

Advanced Auto-Tuning

Multiple Auto-Tuning Modes

Rotational mode	When the load can be uncoupled
Static mode	When the load can not be uncoupled
Static resistance measurement mode	When the motor cable is too long



Motor Equivalent Circuit

**5th
Kernel**

A510s is loaded with 5th generation kernel has the most advanced motor tuning function to build accurate motor equivalent model automatically.

Optimized current vector control performance provides faster commissioning.

More Powerful in Core Computing

- New core processors and better computing ability

Core computing **Raise 60%**

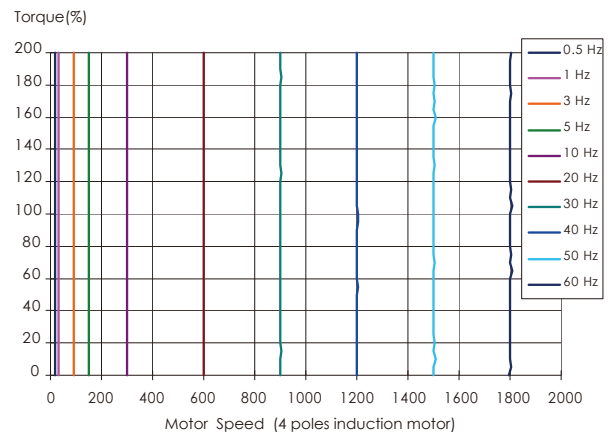
Raise **100%** ROM

RAM **Raise 530%**

*Compare with A510

200% @0.5Hz Starting Torque

SensorLess Vector (SLV) control mode achieves incredible 200% torque performance at extreme low speed (0.5Hz), and provides stable and reliable motor control for wide range of applications.



Sensor Vector Mode (SV) can output 200% holding torque.

Conformity to Global Standards

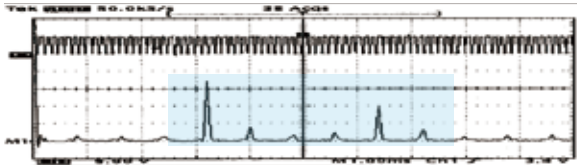
- Conformity to RoHS directive and international recognized certification

RoHS



Motor Noise Reduction Technology

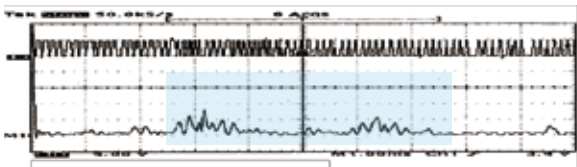
Exclusive Soft PWM control technology reduces the radio frequency interference and motor noise.



Traditional PWM output



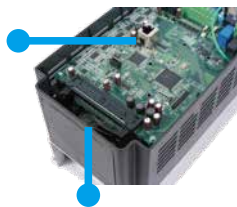
Soft PWM modulation method



Soft PWM output

Robust Design

- PCB coating for all series to against harsh environment, meet IEC 60721-3-3 Class 3C2 standard.



- Vibration-resistant structure - Wire cable for C/B and M/B
- External heat sink for better cooling capability.
- The air flow and all PCB board can be fully isolated to prevent any dust or oil mist penetrate.

Fan Control and Quick Release

- Lower noise and extend the life of fan.
- Quick replaceable fan makes customers be easy to change it.

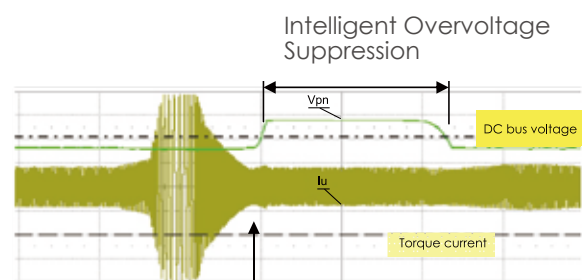


Multi-language Display

- Parameters of multi-language display are essential for international product and minimize the language barrier

Intelligent Over Voltage Suppression

- Suppress over voltage caused by regenerative loads and redirect regenerative energy back to the load. Intelligent overvoltage suppression will not only protect the drive but also no need for costly braking units.

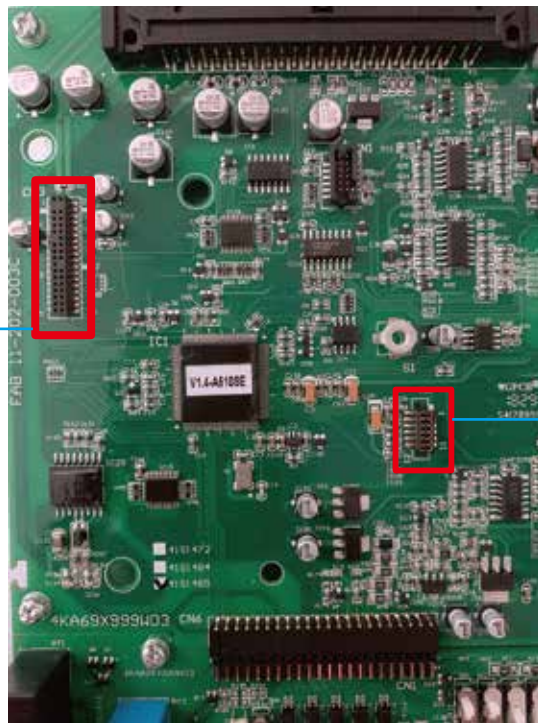


Regenerative energy

Support Communication Card/ IO Expansion Card/ DC24V Power Card

Expansion Slot 1 (CN3)

- For encoder feedback card installation. Please refer to accessories page for detail specification. If the motor with encode or resolver installed, by closed loop control, can provide better motor performance.
- For DC24V power card installation. Catalog No.: JN5-PS-DC24V, to communicate with inverter, and setup or copy the parameter without using the main power.



Expansion Slot 1 (CN2)

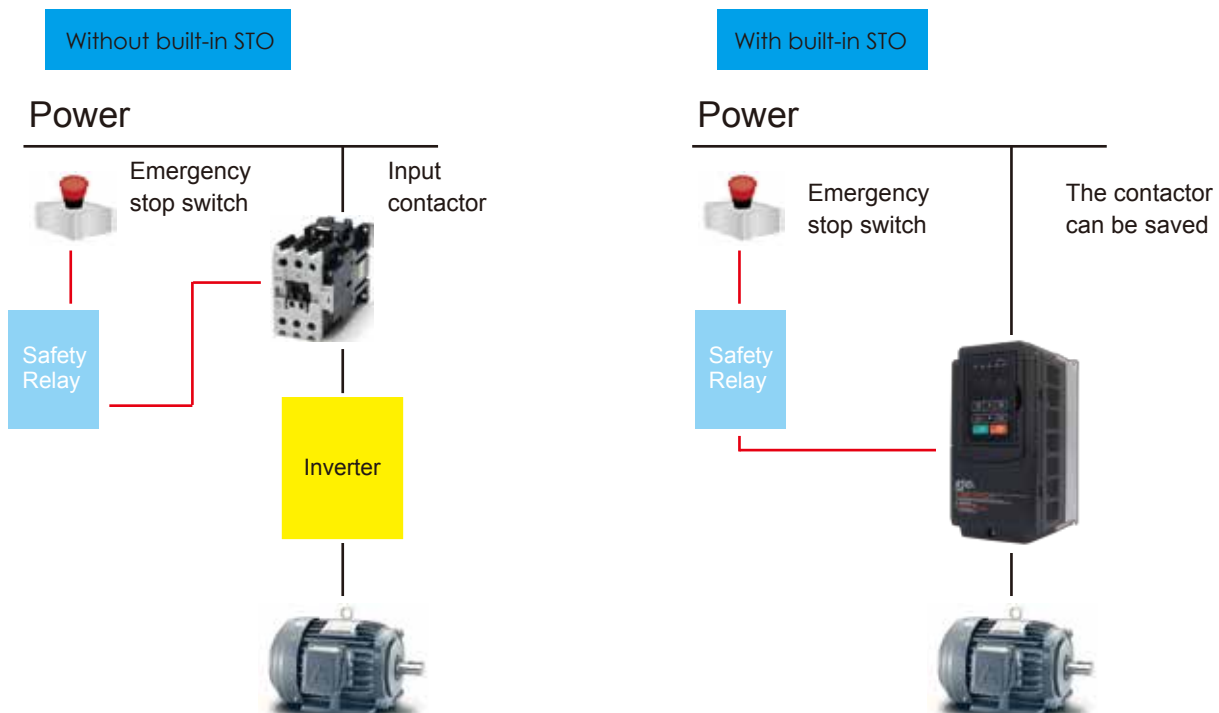
- For communication card installation. Please refer to accessories page for detail specification. It can improve the support of the upper controller communication protocol.
- For IO expansion card installation. Catalog No.: JN5-IO-2DO1AI, to add one relay, one transistor and one analog output with -10V ~ 10V/ 4~20mA.

Built-in STO function

With integrated Safety Torque Off (STO) function, complies with:

- EN ISO 13849-1 Cat/PLd
- EN61508 SIL2
- EN60204-1 Category 0
- EN62061 SIL CL2

It can save contactor's cost and install space, and provide quick and reliable protection.



The Complete Motor Control Solution

with powers for a wide range of applications



Gravitational Handling Equipment

| Crane, Elevator

Metal Processing Machine

| Press, Lathes

Plastics/Rubber Processing Machine

| Extruder, Injection Molding Machine

Tension Control Equipment

| Printing Machine, Reeling Machine

Textile Machine

| Dyeing and Finishing Machine

Wire/Cable Making Machine

| Wire Drawing Machine

Selection Guide

Dual rating design for heavy duty and normal duty applications.

ND. Selection Guide Overload Capability Up To 120%/60sec	HD. Selection Guide Overload Capability Up To 150%/60sec and 200%/2sec
Driving higher horsepower motor in normal duty mode includes fans, pumps, HVAC, etc.	Driving the same horsepower motor in heavy duty mode includes lifts, press, machine tools, etc.
Example: Select A510-2002-S□ model for 3HP motor in pump application. Sets 00-27=1 (ND Mode) *Motor parameters need to be adjusted.	Example: Select A510-2015-S□3 model for 15HP motor in conveyor application. Sets 00-27=0 (HD Mode)

Maximum Applicable Motor (HP) (kW)		Three-Phase 200V				Three-Phase 400V			
		Normal Duty (ND)		Heavy Duty (HD)		Normal Duty (ND)		Heavy Duty (HD)	
		A510s Model	Rated Output Current	A510s Model	Rated Output Current	A510s Model	Rated Output Current	A510s Model	Rated Output Current
1	0.75			A510-2001-S□	5A			A510-4001-S□3(F)	3.4A
1.5	1.1	A510-2001-S□	6A						
2	1.5			A510-2002-S□	8A	A510-4001-S□3(F)	4.1A	A510-4002-S□3(F)	4.2A
3	2.2	A510-2002-S□	9.6A	A510-2003-S□	11A	A510-4002-S□3(F)	5.4A	A510-4003-S□3(F)	5.5A
5	3.7	A510-2003-S□	12A	A510-2005-S□3	17.5A	A510-4003-S□3(F)	6.9A	A510-4005-S□3(F)	9.2A
7.5	5.5	A510-2005-S□3	22A	A510-2008-S□3	25A	A510-4005-S□3(F)	12.1A	A510-4008-S□3(F)	14.8A
10	7.5	A510-2008-S□3	30A	A510-2010-S□3	33A	A510-4008-S□3(F)	17.5A	A510-4010-S□3(F)	18A
15	11	A510-2010-S□3	42A	A510-2015-S□3	47A	A510-4010-S□3(F)	23A	A510-4015-S□3(F)	24A
20	15	A510-2015-S□3	56A	A510-2020-S□3	60A	A510-4015-S□3(F)	31A	A510-4020-S□3(F)	31A
25	18.5	A510-2020-S□3	69A	A510-2025-S□3	73A	A510-4020-S□3(F)	38A	A510-4025-S□3(F)	39A
30	22	A510-2025-S□3	80A	A510-2030-S□3	85A	A510-4025-S□3(F)	44A	A510-4030-S□3(F)	45A
40	30	A510-2030-S□3	110A	A510-2040-S□3	115A	A510-4030-S□3(F)	58A	A510-4040-S□3(F)	60A
50	37	A510-2040-S□3	138A	A510-2050-S□3	145A	A510-4040-S□3(F)	73A	A510-4050-S□3(F)	75A
60	45	A510-2050-S□3	169A	A510-2060-S□3	180A	A510-4050-S□3(F)	88A	A510-4060-S□3(F)	91A
75	55	A510-2060-S□3	200A	A510-2075-S□3	215A	A510-4060-S□3(F)	103A	A510-4075-S□3	118A
100	75	A510-2075-S□3	250A	A510-2100-S□3	283A	A510-4075-S□3	145A	A510-4100-S□3	150A
125	90	A510-2100-S□3	312A	A510-2125-S□3	346A	A510-4100-S□3	168A	A510-4125-S□3	180A
150	110	A510-2125-S□3	400A	A510-2150-S□3	415A	A510-4125-S□3	208A	A510-4150-S□3	216A
175	132	A510-2150-S□3	450A			A510-4150-S□3	250A	A510-4175-S□3	260A
215	160					A510-4175-S□3	296A	A510-4215-S□3	295A
250/270	200					A510-4215-S□3	328A	A510-4270-S□3	380A
300	220					A510-4270-S□3	435A	A510-4300-S□3	450A
335	250					A510-4300-S□3	515A		
375	280							A510-4375-S□3	523A
425	315					A510-4375-S□3	585A	A510-4425-S□3	585A

Catalog Number Identification

A510	-	2	001	-	S	E	3	F		
		Input Voltage			A510s Series	Type		Power Supply		Noise Filter
		2 : 200V Class 4 : 400V Class 5 : 575V Class 6 : 690V Class	Horse Power 001 : 1HP 425 : 425HP		E : Enhanced Type (LED Display) G : Enhanced Type (LCD Display)		Blank : Single/Three-Phase 3 : Three-Phase		Blank : None F : Built-in	

Basic Specifications

200V Class

Inverter Capacity (HP)		1	2	3	5	7.5	10	15	20	25	30	40	50	60	75	100	125	150		
Output Rating ³	HD ³	Rated Output Capacity (KVA)	1.9	3	4.2	6.7	9.5	12.6	17.9	22.9	27.8	32.4	43.8	55.3	68.6	81.9	108	132	158	
		Rated Output Current (A)	5	8	11	17.5	25	33	47	60	73	85	115	145	180	215	283	346	415	
		Maximum Applicable Motor ^{*1} HP (KW)	1 (0.75)	2 (1.5)	3 (2.2)	5 (3.7)	7.5 (5.5)	10 (7.5)	15 (11)	20 (15)	25 (18.5)	30 (22)	40 (30)	50 (37)	60 (45)	75 (55)	100 (75)	125 (90)	150 (110)	
	ND ⁴	Rated Output Capacity (KVA)	2.3	3.7	4.6	8.4	11.4	16.0	21.3	26.3	30.1	41.9	52.6	64.4	76.2	95.3	118.9	152.4	172	
		Rated Output Current (A)	6	9.6	12	22	30	42	56	69	80	110	138	169	200	250	312	400	450	
		Maximum Applicable Motor ^{*1} HP (KW)	2 (1.5)	3 (2.2)	5 (3.7)	7.5 (5.5)	10 (7.5)	15 (11)	20 (15)	25 (18.5)	30 (22)	40 (30)	50 (37)	60 (45)	75 (55)	100 (75)	125 (90)	150 (110)	175 (130)	
Maximum Output Voltage (V)		Three-Phase, 200V to 240V																		
Maximum Output Frequency (Hz)		Based on parameter setting 0.1~599Hz																		
Input Power	Rated Voltage, Frequency		Single/Three-Phase, 200V to 240V, 50/60Hz			Three-Phase, 200V to 240V, 50/60Hz														
	Allowable Voltage Fluctuation		-15% ~ +10%																	
	Allowable Frequency Fluctuation		±5%																	
Braking Transistor		Built-in									Option (Braking Module)									
Frame Size		1	2	3	4	5	6	7	8											

400V Class

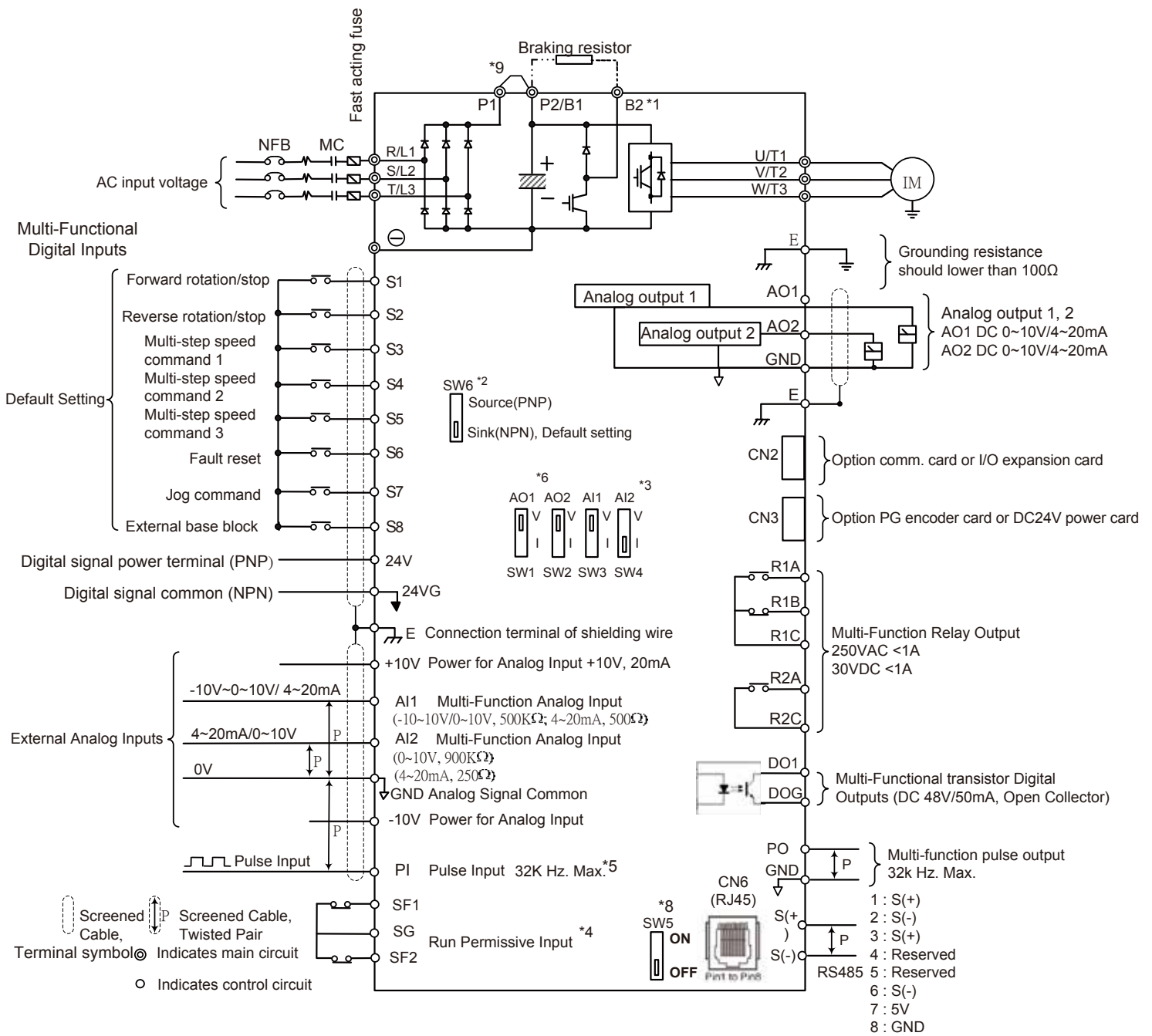
Inverter Capacity (HP)		1	2	3	5	7.5	10	15	20	25	30	40	50	60	75	100	125	150	175	215	270	300	375	425			
Output Rating ³	HD ³	Rated Output Capacity (KVA)	2.6	3.2	4.2	7	11.3	13.7	18.3	23.6	29.7	34.3	45.7	57.2	69.3	89.9	114	137	165	198	225	290	343	400	461		
		Rated Output Current (A)	3.4	4.2	5.5	9.2	14.8	18	24	31	39	45	60	75	91	118	150	180	216	260	295	380	450	523	585		
		Maximum Applicable Motor ^{*1} HP (KW)	1 (0.75)	2 (1.5)	3 (2.2)	5 (3.7)	7.5 (5.5)	10 (7.5)	15 (11)	20 (15)	25 (18.5)	30 (22)	40 (30)	50 (37)	60 (45)	75 (55)	100 (75)	125 (90)	150 (110)	175 (132)	215 (160)	270 (200)	300 (220)	375 (280)	425 (315)		
	ND ⁴	Rated Output Capacity (KVA)	3.1	4.1	5.3	9.2	13.3	17.5	23.6	29.0	33.5	44.2	55.6	67.1	78.5	111	128	159	191	226	250	332	393	446	446		
		Rated Output Current (A)	4.1	5.4	6.9	12.1	17.5	23	31	38	44	58	73	88	103	145	168	208	250	296	328	435	515	585	585		
		Maximum Applicable Motor ^{*1} HP (KW)	2 (1.5)	3 (2.2)	5 (3.7)	7.5 (5.5)	10 (7.5)	15 (11)	20 (15)	25 (18.5)	30 (22)	40 (30)	50 (37)	60 (45)	75 (55)	100 (75)	125 (90)	150 (110)	175 (132)	215 (160)	250 (185)	300 (220)	375 (280)	425 (315)	425 (315)		
Maximum Output Voltage (V)		Three-Phase, 380V to 480V																									
Maximum Output Frequency (Hz)		Based on parameter setting 0.1~599Hz																									
Input Power	Rated Voltage, Frequency		Three-Phase, 380V to 480V, 50/60Hz																								
	Allowable Voltage Fluctuation		-15% ~ +10%																								
	Allowable Frequency Fluctuation		±5%																								
Braking Transistor		Built-in									Option (Braking Module)																
Frame Size		1	2	3	4	5	6	7	8																		

Notes:

- *1. Based on the standard 4-pole induction motor. The selected inverter must have a higher output current rating than the motor.
- *2. The default setting of A510s takes HD (heavy duty mode) as the base. To switch A510s to ND (normal duty mode) set parameter (00-27) to 1. When switching to ND (normal duty mode), the frequency will change to 2kHz.
- *3. The default setting of carrier frequency in HD mode is shown in right side table, if the setting value is higher than default setting, de-rating may be required.
- *4. The default setting of carrier frequency in ND mode is 2kHz, if the setting value is higher than default setting, de-rating may be required.
- *5. If control mode is set to SLV mode and maximum frequency is larger than 80Hz, the carrier frequency range is 2~8kHz.

Inverter Voltage and Capacity		HD mode carrier freq range	HD mode carrier freq default setting
200V Class	400V Class		
1~20HP	1~30HP	2~16kHz	8kHz
25HP	-	2~12kHz	6kHz
30~40HP	40~50HP	2~12kHz ^{*5}	5kHz
50~100HP	60~175HP	2~10kHz ^{*5}	5kHz
-	125HP	2~10kHz	4kHz
-	215HP	2~8kHz	3kHz
125~150HP	-	2~5kHz	5kHz
-	270~375HP	2~5kHz	4kHz
-	425HP	2~5kHz	2kHz

Wiring Diagram



General Specifications

Control Characteristics	Display	LED keypad with 5-digits seven-segment display (LCD keypad option)	
	Control Modes	V/F, V/F+PG, SLV, SLV2, SV, PMSV, PMSLV (SVPWM Modulation)	
	Output Frequency	0.01~599.00Hz	
	Frequency Accuracy	Digital references: $\pm 0.01\%$ (-10 to +40°C), Analog references: $\pm 0.1\%$ (25°C $\pm 10^\circ\text{C}$)	
	Speed Control Accuracy ^{*1}	$\pm 0.1\%$ (Sensor Vector Control Mode, SV) $\pm 0.5\%$ (Sensorless Vector Control Mode, SLV)	
	Frequency Setting Resolution	Digital References:0.01Hz, Analog References: 0.03Hz at 60Hz	
	Output Frequency Resolution	0.01Hz	
	Overload Tolerance	Heavy Duty Mode (HD.) : 150% rated current for 60sec, 200% rated current for 2 sec. (Factory default) Normal Duty Mode (ND.) : 120% rated current for 60sec	
	Frequency Setting Signal	0 to +10V, -10V to +10V, 4 to 20mA or pulse train input	
	Acceleration / Deceleration Time	0.0~6000.0 sec (separately set acceleration and deceleration time)	
	Voltage / Frequency Characteristics	15 fixed and one customized v/f pattern	
	Braking Torque	Approximate 20% (Built-in braking transistors under 200V 25HP and 400V 40HP)	
	Protection Functions	Main Control Functions	Auto-tuning, Zero Servo, Torque Control, Position Control, Droop, Soft-PWM, Over-Voltage Protection, Dynamic Braking, Speed Search, Frequency Traversing, Momentary Power Loss Restart, PID Control, Automatic Torque Compensation, Slip Compensation, RS-485 Communication, Close Loop Control with PG, Simple PLC Function, Two Analog Output, Safety input contact
Other Functions		Records of Power ON and Operation Time, 30 Fault History Records and Latest Fault State Record, Energy-Saving Function, Phase Loss Protection, DC Braking, Dwell, S Curve Acceleration and Deceleration, Up / Down Operation, Modbus Communication Protocol, Output of Pulse Multiple, Display of Engineering Unit, SINK / SOURCE Selection, RTC function in Enhanced LCD type	
Stall Prevention		Current level can be adjusted. (In acceleration or constant speed, it can be set separately. In deceleration, it can be set with or without stall protection)	
Over Current (OC) and Output Short-Circuit (SC) Protection		It stops when the current exceeds 200% of the inverter rated current.	
Inverter Overload Protection (OL2)		Inverter will be stopped when the output is higher than below conditions. Heavy Duty Mode (HD.) : 150% rated current for 60sec, 200% rated current for 2 sec. (Factory default), Carrier frequency is from 2kHz to 8kHz. Normal Duty Mode (ND.) : 120% rated current for 60sec, Carrier frequency is 2kHz.	
Motor Overload Protection (OL1)		Electrical overload protection curve	
Over Voltage Protection (OV)		If the main circuit DC voltage is over 410V (200V class) / 820V (400V class), the motor stops running.	
Under Voltage (UV)		If the main circuit DC voltage is under 190V (200V class) / 380V (400V class), the motor stops running.	
Momentary Power Loss Restart		Power loss exceeds 15ms You can set the function of momentary power loss restart to up to 2 sec	
Overheat Protection (OH)		Thermistor sensor on heatsink	
Ground Fault Protection (GF)		Protection by current detection circuit	
Charge Indicator		When main circuit DC voltage $\geq 50\text{V}$, the CHARGE LED is on.	
Environment Specification		Input / Output Phase Loss Protection (IPL / OPL)	If the IPL / OPL function acts, the motor stops rotation automatically
	Short-circuit Current Rating(SCCR)	Per UL 508C,the drive is suitable for use on a circuit capable of delivering not more than 100KA symmetrical amperes(rms)when protected by fuses given in the fuse table	
	Location	Indoor (Protected from corrosive gases and dust)	
	Ambient Temperature	-10~+40°C (IP20/IP21), -10~50°C (IP00 or top anti-dust cover removed), with de-rating, the maximum is 60 °C. (Frame 5 is 50°C without de-rating)	
	Storage Temperature	-20~+70°C	
	Humidity	95%RH or less (no condensation)	
	Altitude and Vibration	Altitude of 1000 meters or lower ; 1.0G, in compliance with IEC 60068-2-6	
	Pollution Degree	Meef IEC 60721-3-3 Class 3C2	
	Communication Function	Built-in RS-485 as standard (Modbus protocol with standard RJ45)	
	Electromagnetic Interference (EMI)	In compliance with EN61800-3 standard, 400V 60HP or below can be built-in.	
	Electromagnetic Compatibility (EMS)	In compliance with EN61800-3 standard	
	Certification	CE	In compliance with EN61800-3 (CE & RE) and EN61800-5-1(LVD)
		UL	UL508C

Notes:

*1. Speed control accuracy will be influenced when the motor and installation condition are different.

Dimensions

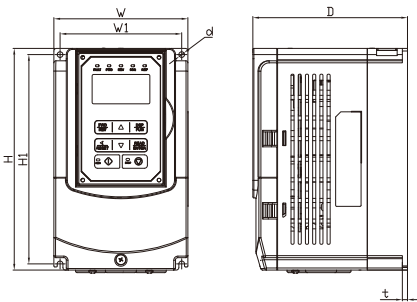


Figure A

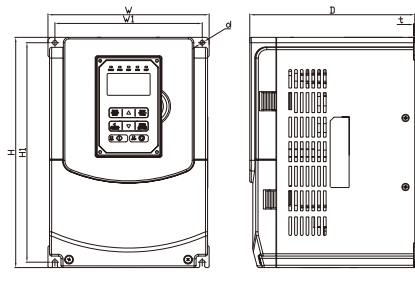


Figure B

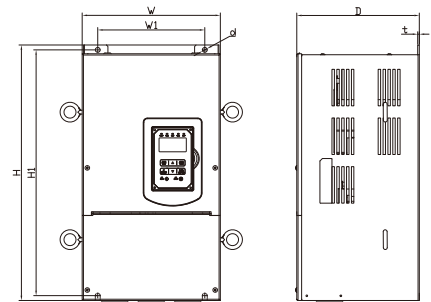


Figure C

Figure	Enclosure	Frame	Catalog No.	Dimensions (mm)							Net Weight (kg)
				W	H	D	W1	H1	t	d	
A	IP20	Frame 1	A510-2001-S□	130	215	150	118	203	5	M5	2.2
			A510-2002-S□								
			A510-4001-S□3								
			A510-4002-S□3								
B	IP20	Frame 2	A510-2003-S□	140	279	181	122	267	1.2	M6	3.8
			A510-2005-S□3								
			A510-2008-S□3								
			A510-4005-S□3								
		Frame 3	A510-4008-S□3	210	300	215	192	286	1.6	M6	6.2
			A510-2010-S□3								
			A510-4010-S□3								
		Frame 4	A510-4015-S□3	265	360	225	245	340	1.6	M8	10
			A510-4020-S□3								
			A510-2015-S□3								
A510-2020-S□3											
C	IP20	Frame 5	A510-2025-S□3	286.5	525	272	220	505	3.3	M8	24
			A510-4025-S□3								
			A510-2030-S□3								
			A510-2040-S□3								
			A510-4040-S□3								
A510-4050-S□3											
A510-4060-S□3											
A510-4075-S□3											

Dimensions

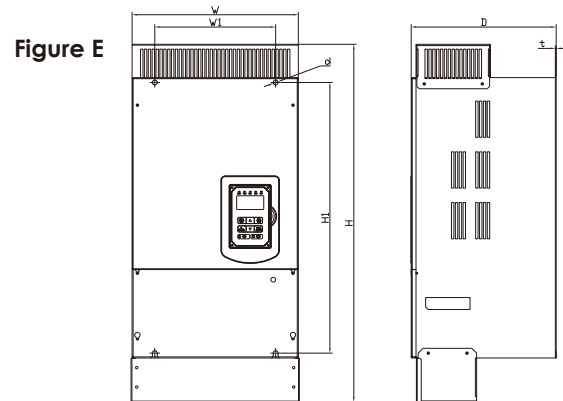
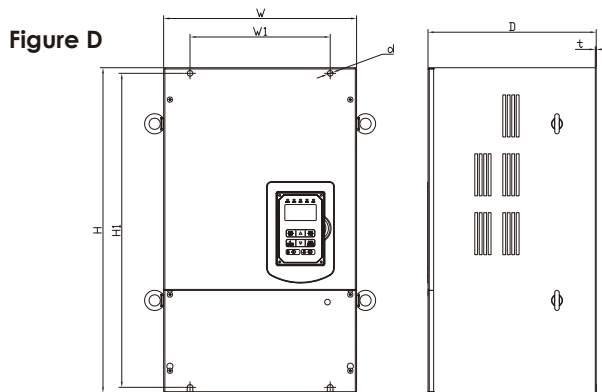


Figure	Enclosure	Frame	Catalog No.	Dimensions (mm)							Net Weight (kg)
				W	H	D	W1	H1	t	d	
D	IP00	Frame 6	A510-2050-S□3	344	580	300	250	560	3.2	M8	40
			A510-2060-S□3								
			A510-4100-S□3								
			A510-4125-S□3								
E	IP20	Frame 6	A510-2050-S□3	348.5	740	300	250	560	3.2	M8	44
			A510-2060-S□3								
			A510-4100-S□3								
			A510-4125-S□3								
D	IP00	Frame 7	A510-2075-S□3	459	790	324.5	320	760	4.2	M10	74
			A510-2100-S□3								
			A510-4150-S□3								
			A510-4175-S□3								
E	IP20	Frame 7	A510-2075-S□3	463.5	1105	324.5	320	760	4.2	M10	81
			A510-2100-S□3								
			A510-4150-S□3								
			A510-4175-S□3								
			A510-4215-S□3								

Dimensions

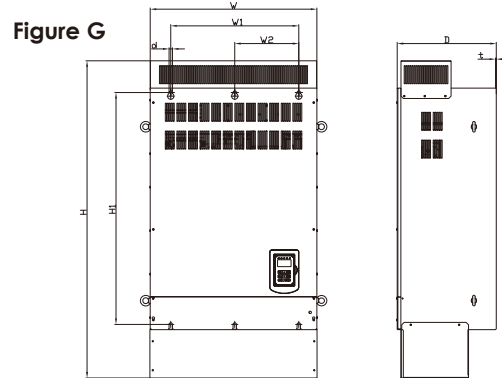
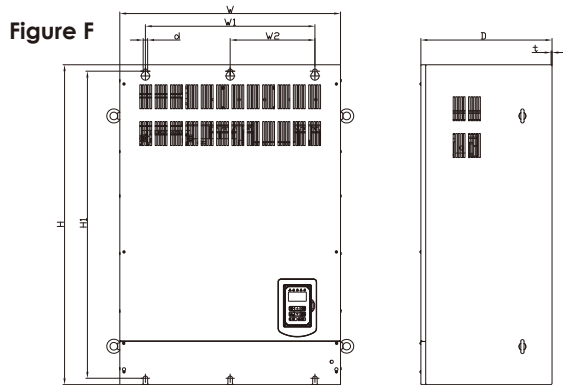


Figure	Enclosure	Frame	Catalog No.	Dimensions (mm)								Net Weight (kg)
				W	H	D	W1	W2	H1	t	d	
F	IP00	Frame 8	A510-2125-S□3	690	1000	410	530	265	960	4.2	M12	184
			A510-2150-S□3									
			A510-4270-S□3									
			A510-4300-S□3									
			A510-4375-S□3									
A510-4425-S□3												
G	IP20	Frame 8	A510-2125-S□3	692	1313	410	530	265	960	4.2	M12	194
			A510-2150-S□3									
			A510-4270-S□3									
			A510-4300-S□3									
			A510-4375-S□3									
A510-4425-S□3												

* The enclosure type of IP00 model is standard for frame 6 to frame 8. It is required to purchase the installation accessories if user selects the enclosure type of IP20 model.

Frame 6	JN5-NK-A06
Frame 7	JN5-NK-A07
Frame 8	JN5-NK-A08

Dimensions

Figure H

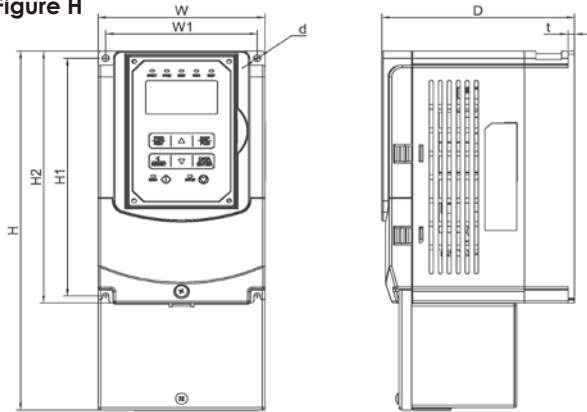


Figure	Enclosure	Frame	Catalog No.	Dimensions (mm)								Net Weight (kg)
				W	H	D	W1	H1	H2	t	d	
H	IP20	Frame 1	A510-4001-S□3F	130	306	150	118	203	215	5	M5	3.5
			A510-4002-S□3F									
			A510-4003-S□3F									
		Frame 2	A510-4005-S□3F	140	400	177	122	267	279	1.2	M6	5.5
			A510-4008-S□3F									

Figure I

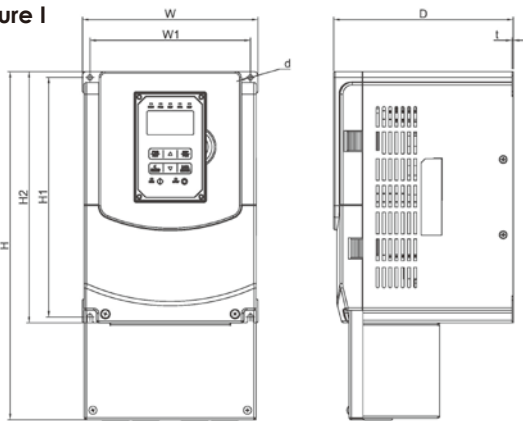


Figure J

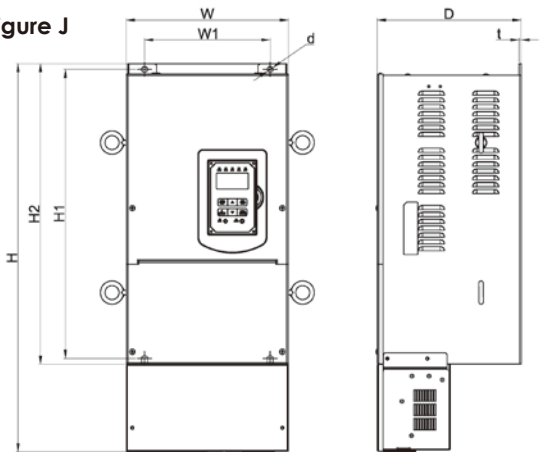


Figure	Enclosure	Frame	Catalog No.	Dimensions (mm)								Net Weight (kg)
				W	H	D	W1	H1	H2	t	d	
I	IP20	Frame 3	A510-4010-S□3F	210	416.5	215	192	286	300	1.6	M6	8.0
			A510-4015-S□3F									
		Frame 4	A510-4020-S□3F	265	500	225	245	340	360	1.6	M8	12.5
A510-4025-S□3F												
A510-4030-S□3F												
J		Frame 5	A510-4040-S□3F	286.5	679	252	220	505	525	3.3	M8	29.5
	A510-4050-S□3F											
	A510-4060-S□3F											

Accessories

Accessories	Description	Catalog No.	Note
Cables	IP20 Digital operator extention cable	JN5-CB-01M	1 meter
		JN5-CB-02M	2 meter
		JN5-CB-03M	3 meter
		JN5-CB-05M	5 meter
	RJ45 to USB connecting cable	JN5-CM-USB	1.8 meter
Communication Gateways	Profibus DP module	JN5-CM-PDP	
	TCP-IP module	JN5-CM-TCPIP	
	DeviceNet module	JN5-CM-DNET	
	CANopen module	JN5-CM-CAN	
Communication Cards	Profibus DP communication card	JN5-CMHI-PDP	
	CANopen communication card	JN5-CMHI-CAN	
	EtherCAT communication card	JN5-CMHI-ECAT	
Digital & Analog IO Expansion Card	Add one relay output, one transistor, and one -10V~10V / 4~20mA analog input after installation.	JN5-IO-2DO1AI	
DC24V Power Card	Use DC24V to communicate with inverter, and setup or copy the parameter without using the main power after installation.	JN5-PS-DC24V	
NEMA1 Kits	Mechanical device consisting of anti-dust cover on the upper part and wiring box on the bottom to meet NEMA1	JN5-NK-A06	For Frame 6
		JN5-NK-A07	For Frame 7
		JN5-NK-A08	For Frame 8
Digital Operators	IP20 LED type	JN5-OP-F01	
	IP20 LCD type	JN5-OP-F02	
	IP20 Blank type	JN5-OP-A03	
Protective Cover	Positioned on both sides of the inverter to prevent unknown objects from invading	JN5-CR-A01	For Frame 1
		JN5-CR-A02	For Frame 2
		JN5-CR-A04	For Frame 4
Middle Layer Case	For encoder feedback card/ communication card/ Digital & Analog IO Expansion Card/ DC24V power card installation (For frame 2~4, if only install encoder feedback card, don't need middle layer case) (After installation, the Depth will add)	JN5-MD-A01	For Frame 1, D+44mm
		JN5-MD-A02	For Frame 2, D+31mm
		JN5-MD-A03	For Frame 3, D+34mm
		JN5-MD-A04	For Frame 4, D+35mm
Others	Copy Module for 510 series	JN5-CU	

Encoder Feedback Card

Catalog No.	Encoder/Resolver Input Type	Output Type
JN5-PG-O	Open collector feedback card	Open Collector
JN5-PG- L	Line driver speed feedback card	Line Driver
JN5-PG- L -24	Line driver speed feedback card	Open Collector
JN5-PG-PM	Synchronous motor line driver speed feedback card	Line Driver
JN5-PG-PMR	Speed feedback card with TAMAGAWA Resolver	Line Driver
JN5-PG-PMS	Speed feedback card with Heidenhain ERN 1387 Encoder Sin-Cos Incremental Encoder	Line Driver
JN5-PG-PMS-24	Speed feedback card with Heidenhain ERN 1387 Encoder Sin-Cos Incremental Encoder	Open Collector
JN5-PG-PMC	Speed feedback card with Heidenhain ECN 1313 Encoder 8192 (13bits) Absolute Encoder	Line Driver
JN5-PG-PMC-24	Speed feedback card with Heidenhain ECN 1313 Encoder 8192 (13bits) Absolute Encoder	Open Collector



Distributor



TECO Electric & Machinery Co., Ltd.

10F, No. 3-1, Park St., Nan-Kang, Taipei 115, Taiwan

TEL : 886-2-6615-9111 Ext.1725

FAX : 886-2-6615-1033

<http://www.teco.com.tw>

Specifications covered in this brochure may be subject to change without notice.



GJ-89-00 2019-07-10